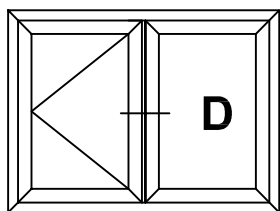
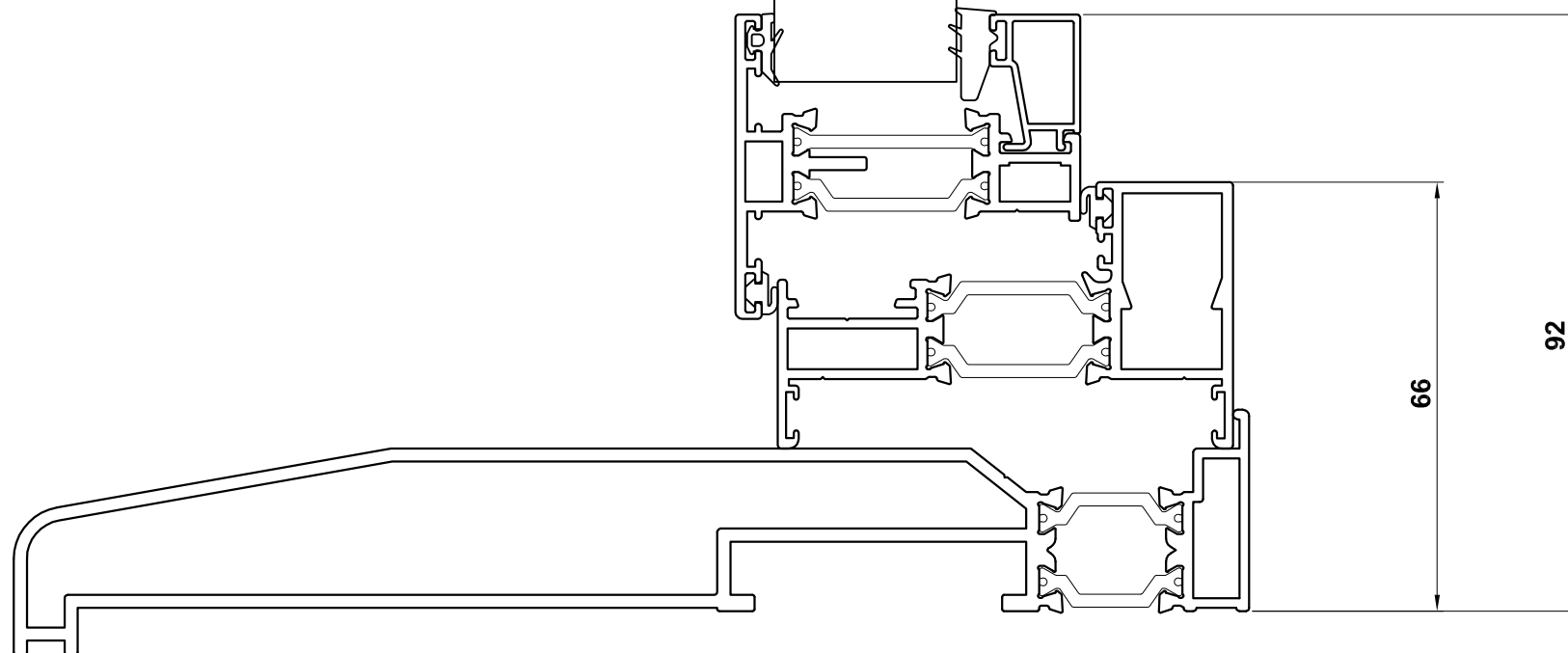
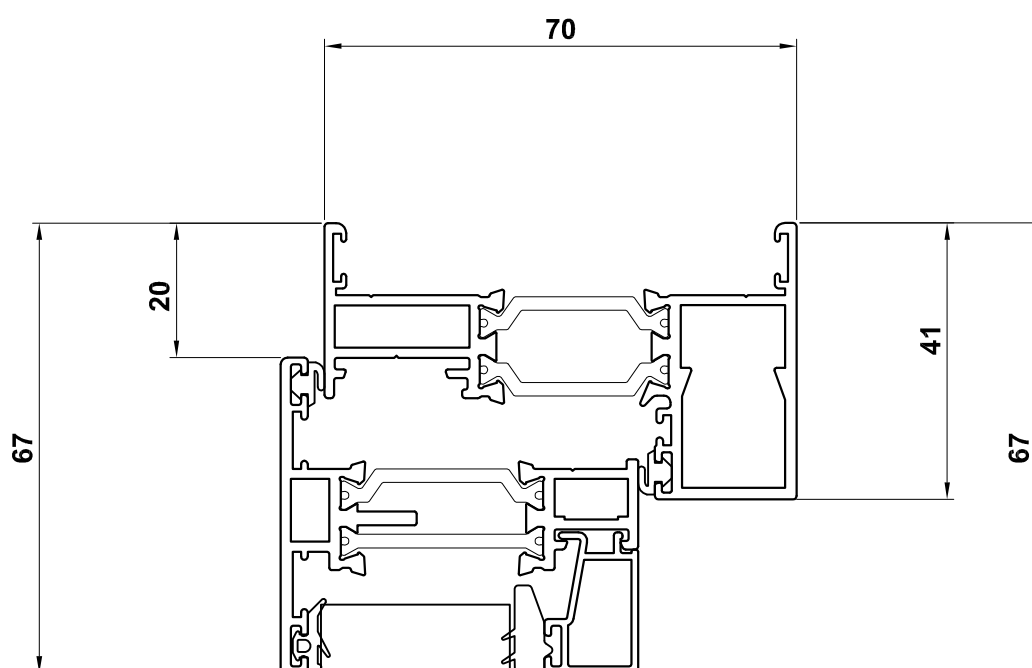
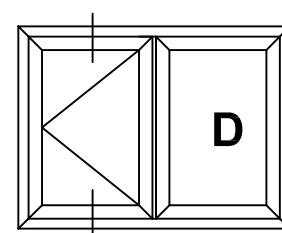
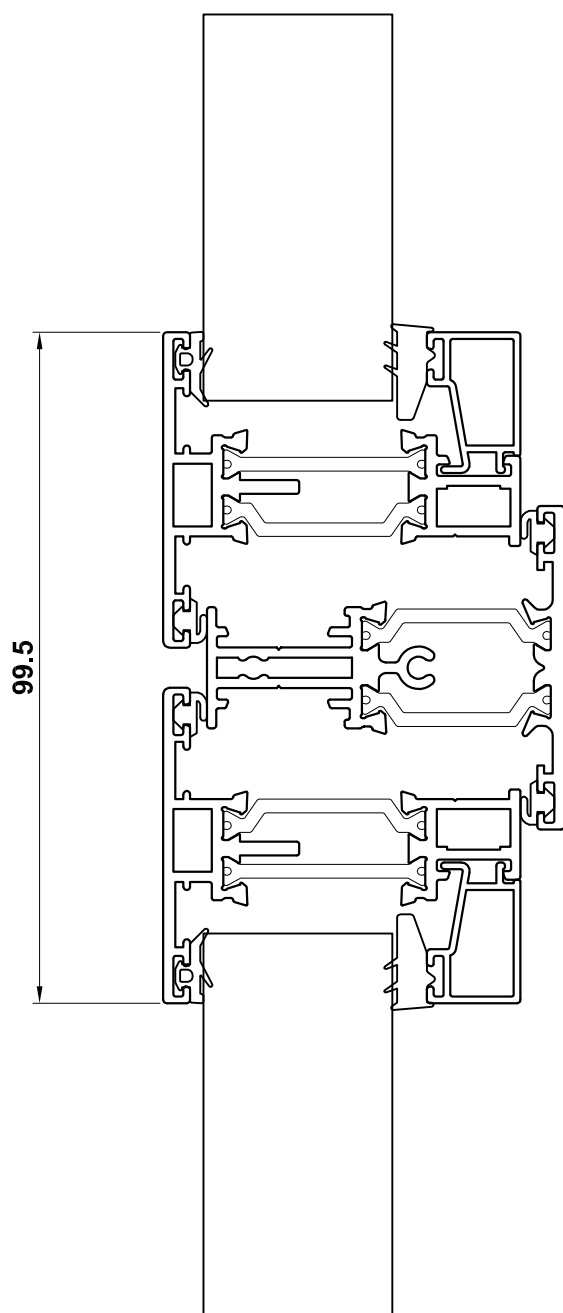


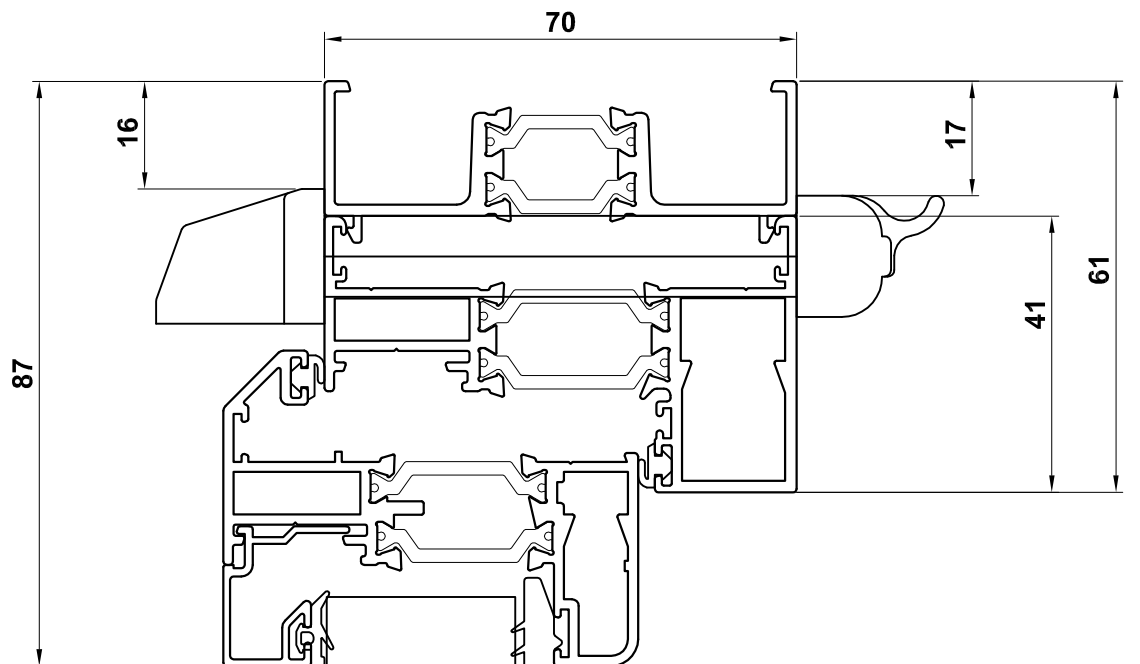
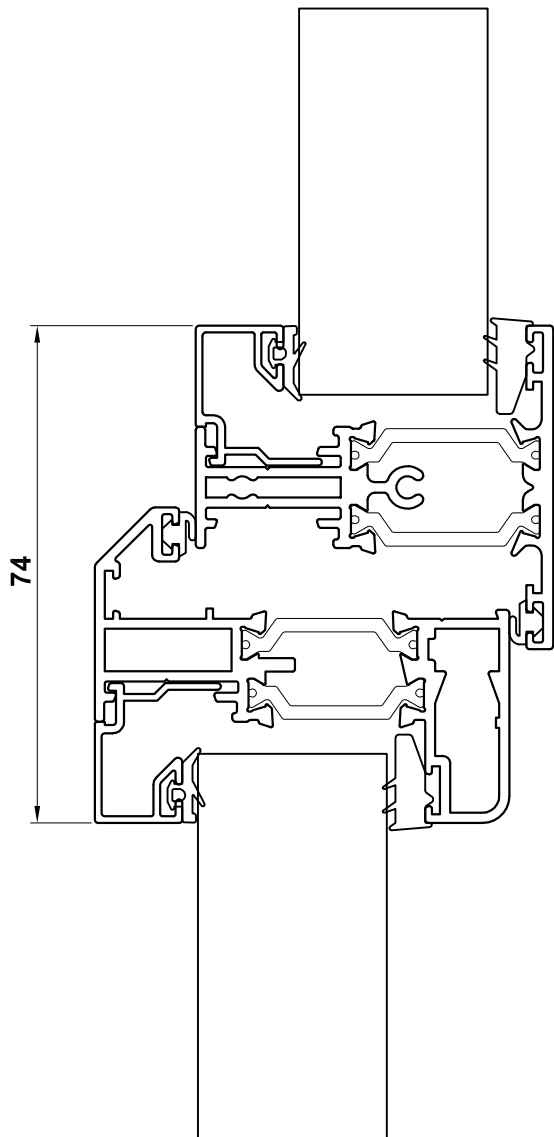
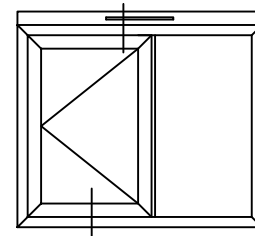
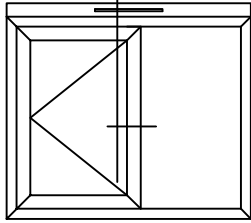
**WINDOW SYSTEM 1 ASSEMBLY DRAWINGS
CONTEMPORARY FRAME INTERNALLY GLAZED**



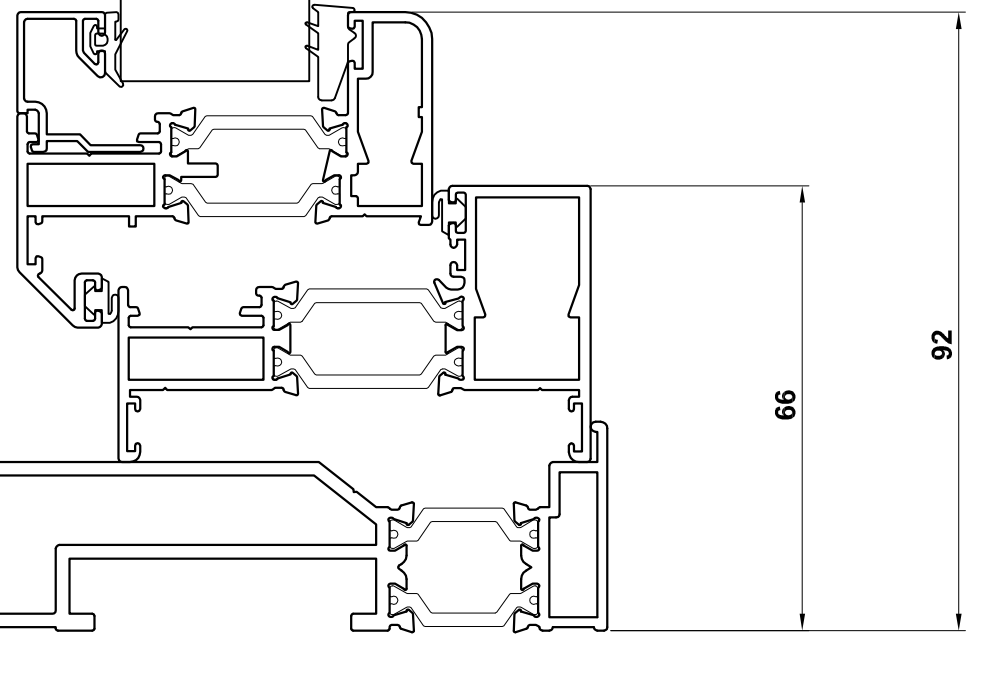
- ZSB169** - Outer Frame
- ETC324N** - T-Sash
- ETC333** - T-Transom/Mullion
- ETC367** - 28mm Glazing
- ETC158N** - 190mm Sill



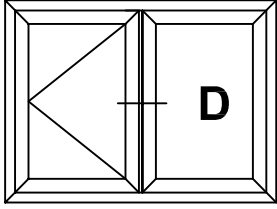
WINDOW SYSTEM 2 ASSEMBLY DRAWINGS
CONTEMPORARY FRAME EXTERNALLY GLAZED



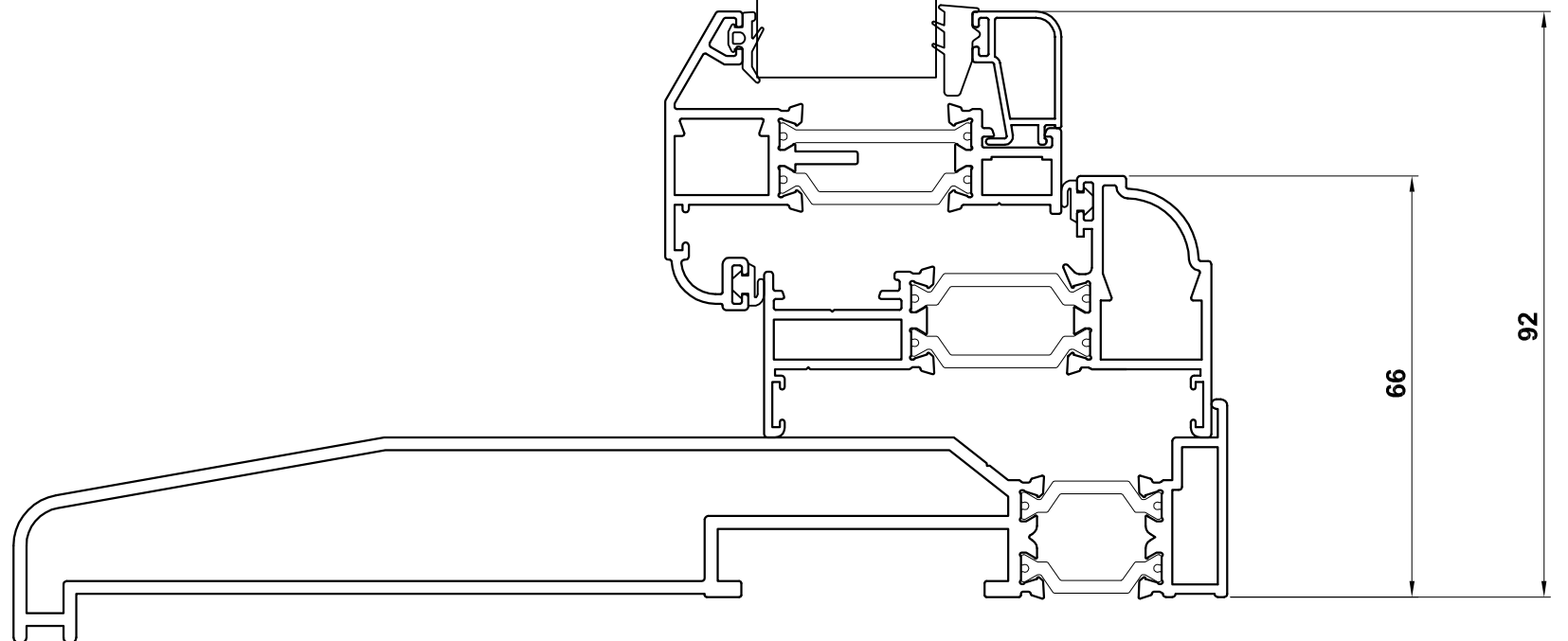
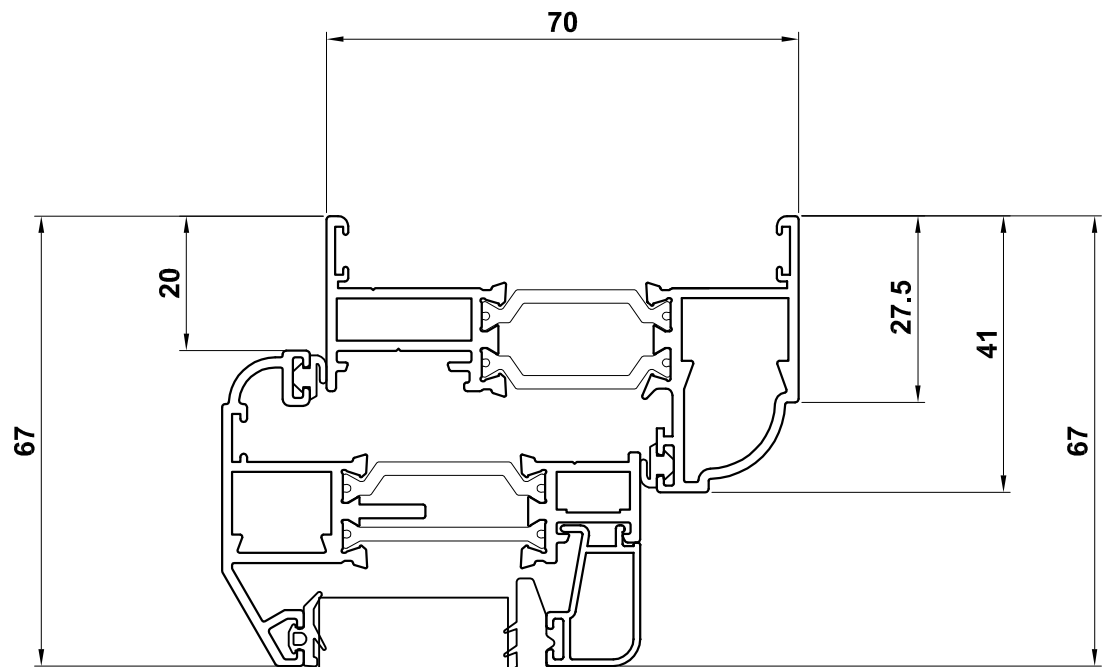
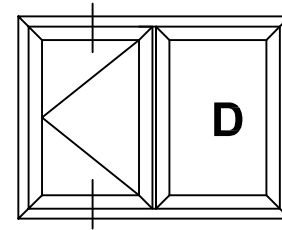
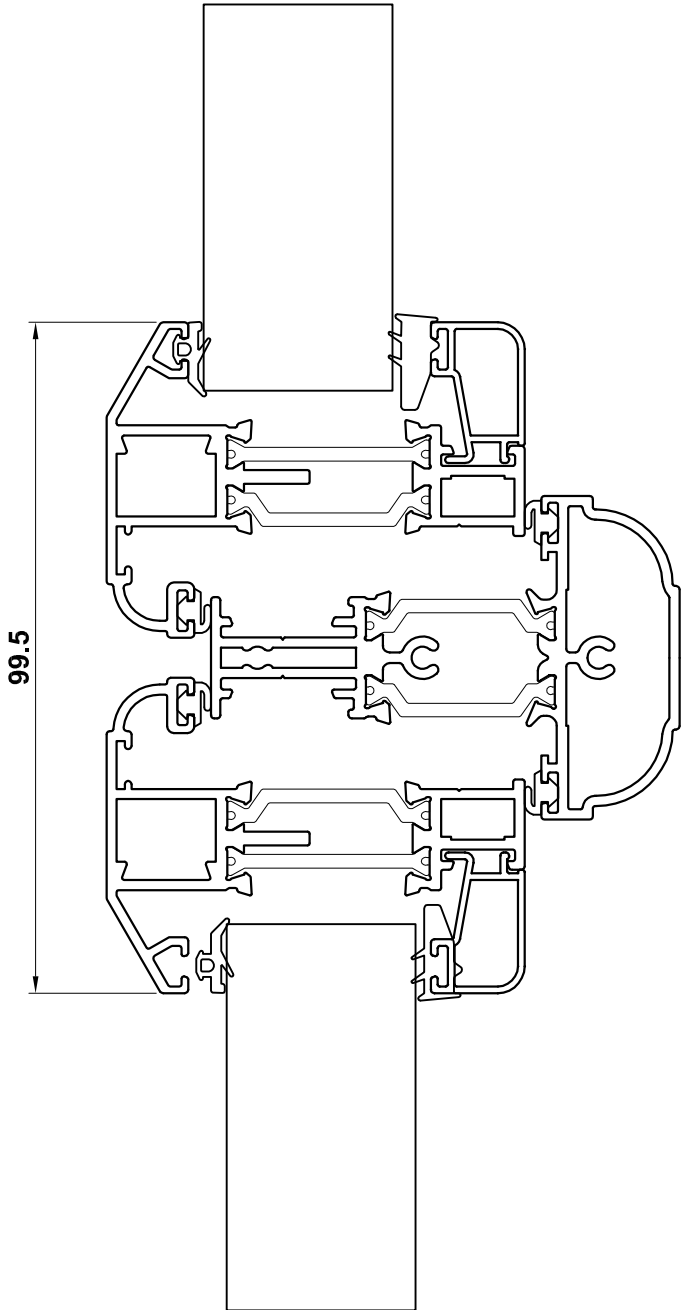
- ZSB169** - Outer Frame
- ETC321N** - Z-Sash
- ETC333** - T-Transom/Mullion
- ETC371** - 28mm Glazing
- ETC158N** - 190mm Sill
- DV559** - Outer Frame Extension



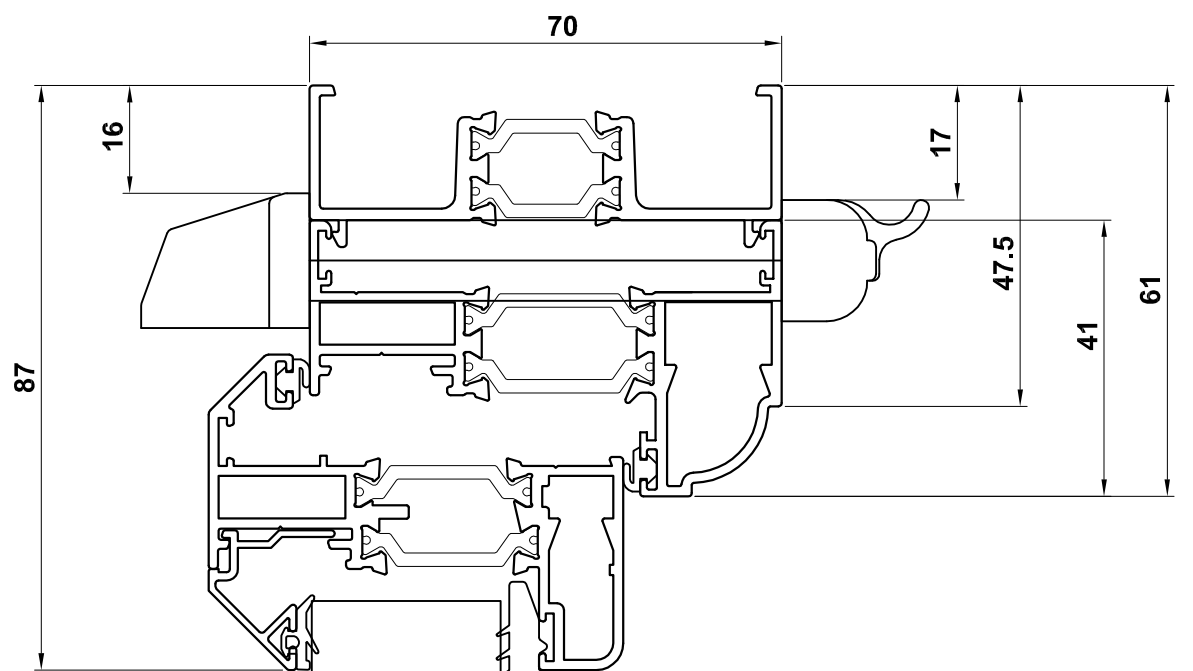
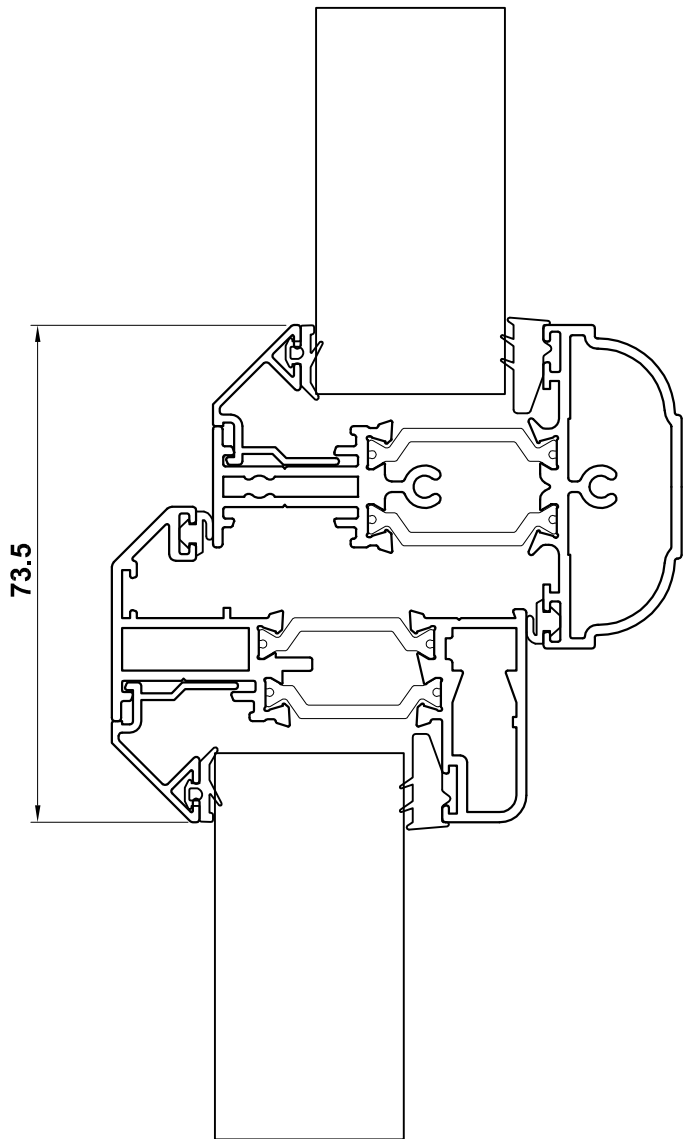
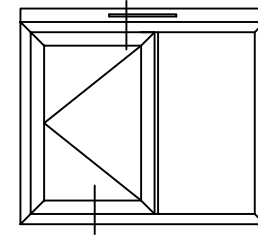
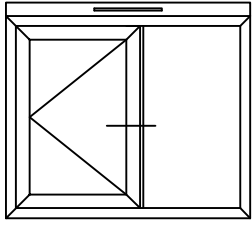
WINDOW SYSTEM 3 ASSEMBLY DRAWINGS
CLASSIC-AL FRAME INTERNALLY GLAZED



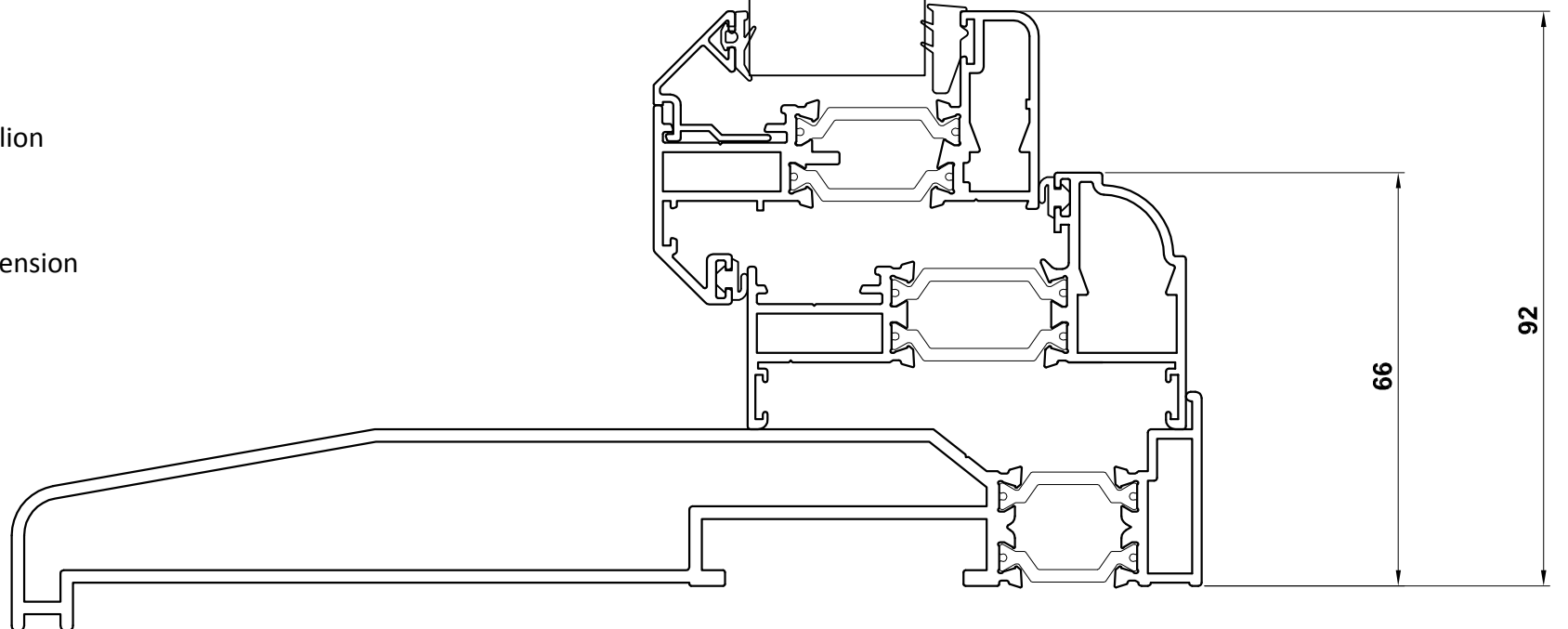
- ZSB168 - Outer Frame
- ETC329N - T-Sash
- ZSB167 - T-Transom/Mullion
- ETC273 - 28mm Glazing
- ETC158N - 190mm Sill



WINDOW SYSTEM 4 ASSEMBLY DRAWINGS
CLASSIC-AL FRAME EXTERNALLY GLAZED
BEVEL SASH

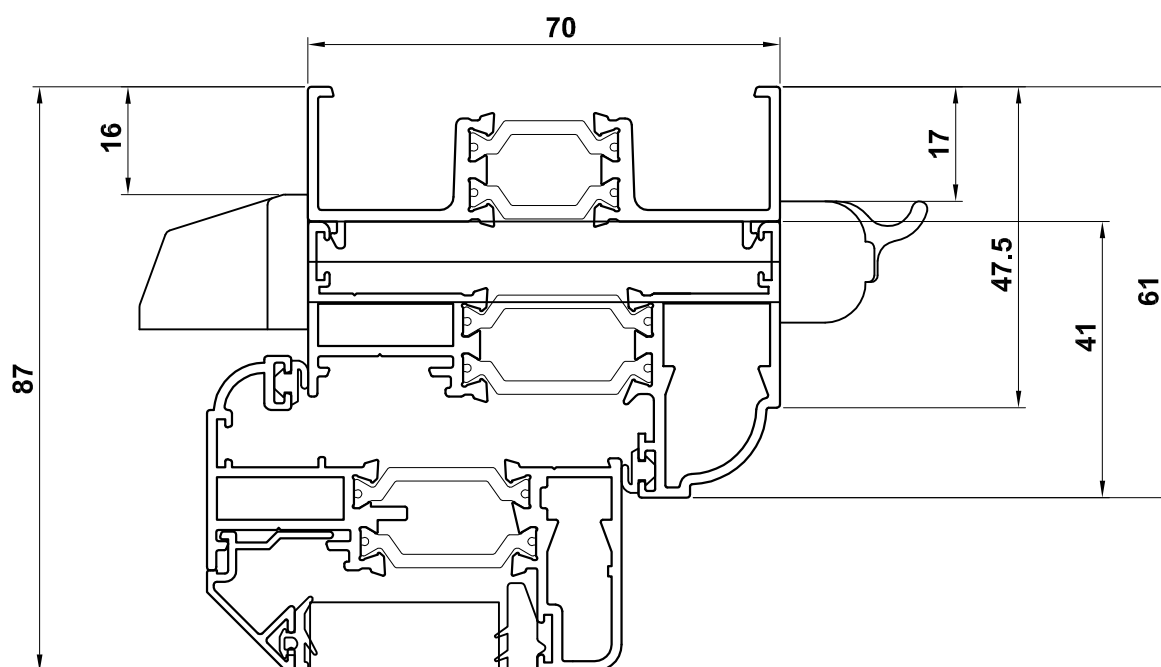
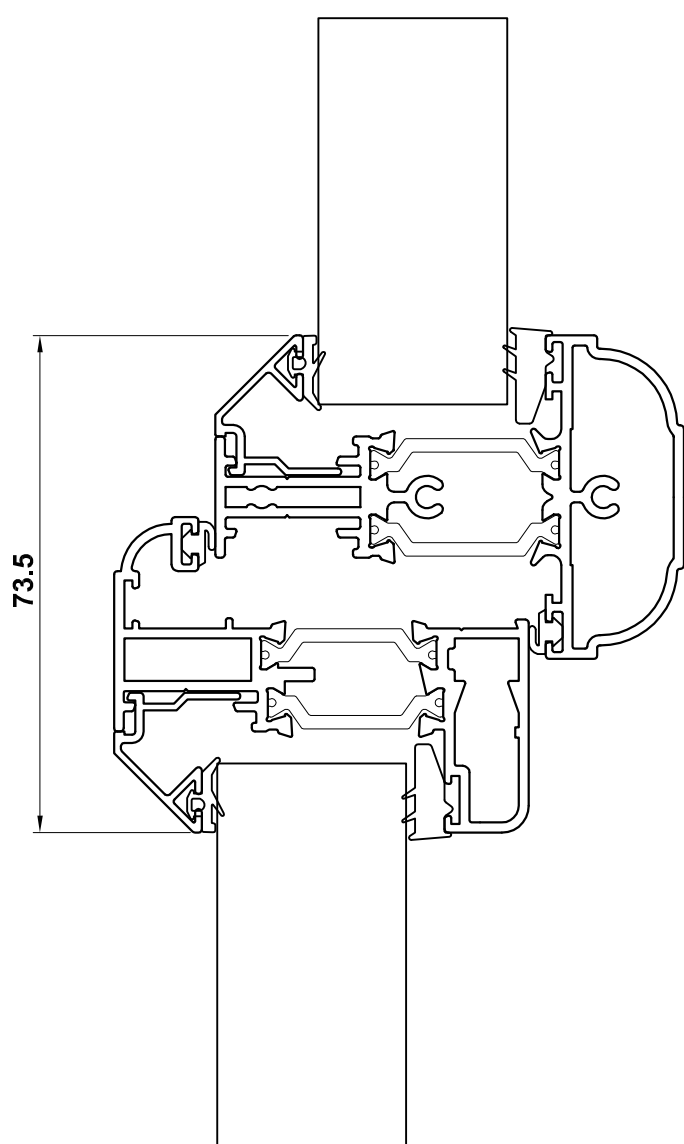
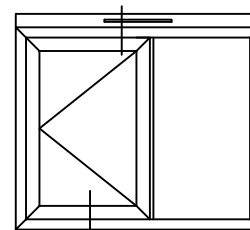
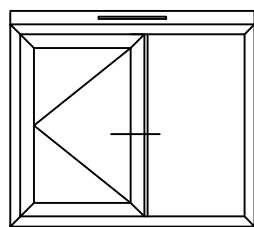


- ZSB168** - Outer Frame
- ETC321N** - Z-Sash
- ZSB167** - T-Transom/Mullion
- ETC375** - 28mm Glazing
- ETC158N** - 190mm Sill
- DV559** - Outer Frame Extension



WINDOW SYSTEM 5 ASSEMBLY DRAWINGS CLASSIC-AL FRAME EXTERNALLY GLAZED FEATURED SASH

- ZSB168** - Outer Frame
- ETC327** - Z-Sash Featured
- ZSB167** - T-Transom/Mullion
- ETC375** - 28mm Glazing
- ETC158N** - 190mm Sill
- DV559** - Outer Frame Extension



Note:
For floating mullion applications,
the Classic-al mullion ZSB167 will
need to be replaced with the
contemporary mullion ETC333

